

ROAD & MOUNTAIN STEM INSTALLATION



The Moots Titanium stem is engineered and manufactured to exacting standards, tested for strength and durability, and designed to work with a wide variety of handlebars.

The increased use of light-weight carbon handlebars has made correct installation of the handlebar on a Moots stem very important. It is important to understand that the “maximum allowable torque rating” given in the instructions for installing the stem is **not the recommended setting for all handlebars**. Rather, it is the maximum torque to which the stem bolts may be tightened without compromising the strength of the bolts and stem.

Not all handlebars can withstand being tightened to maximum torque. Over-tightening such handlebars can cause them to weaken or fail. **Such failure may result in damage or destruction of the bar and serious personal injury or death should a failure occur while the bike is in use.** Read and follow all manufacturers’ instructions for the handlebar you are installing. If in doubt regarding maximum recommended torque for the handlebar you are installing, contact the handlebar manufacturer before installing. Please also review the Moots Installation Instructions before installing the bar.

Moots is not responsible or liable for damage to your handlebar or yourself if a handlebar is installed incorrectly or if the handlebar is defective. Remember to always check handlebars for any sign of wear or damage before each ride. If you feel there may be a problem check with a professional mechanic.

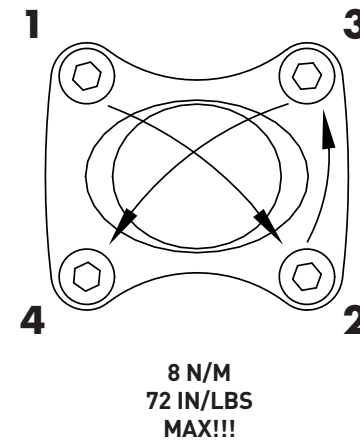
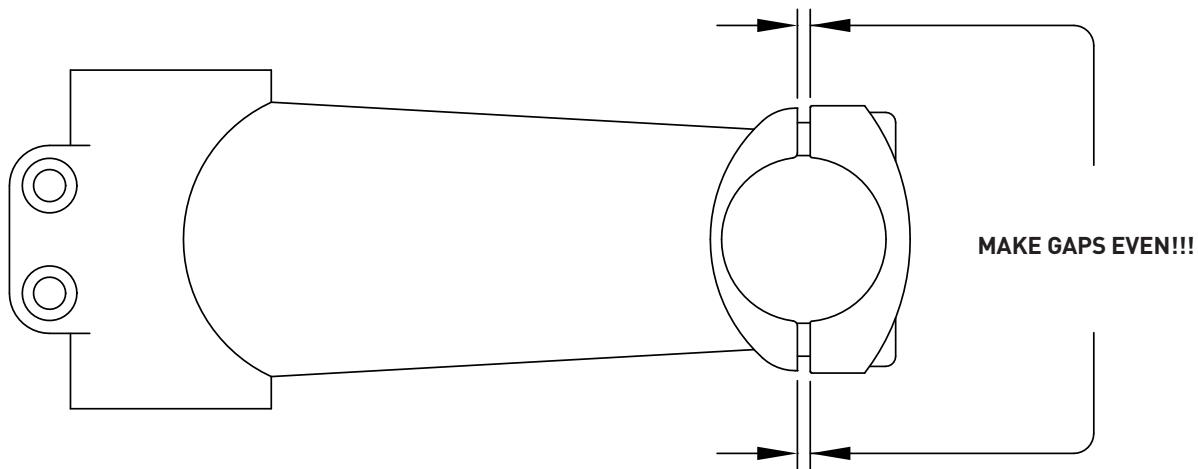
MOOTS
HANDBUILT IN THE ROCKIES

2545 COPPER RIDGE DRIVE
STEAMBOAT SPRINGS, CO 80487
970.879.1676

MOOTS.COM

MOOTS
HANDBUILT IN THE ROCKIES

HANDLEBAR / FACEPLATE INSTALLATION



USING A 4 MM ALLEN KEY AND A TORQUE WRENCH BRING BOLTS TO TENSION SLOWLY USING THE ALTERNATING PATTERN SHOWN ABOVE **MAXIMUM ALLOWABLE TORQUE RATING 8 N/M (APPROX. 72 IN/LBS)**

AS WITH ANY HIGH PERFORMANCE PRODUCT IF YOU DO NOT FEEL CONFIDENT WITH THIS INSTALLATION PLEASE SEEK THE ASSISTANCE OF A PROFESSIONAL BICYCLE MECHANIC.